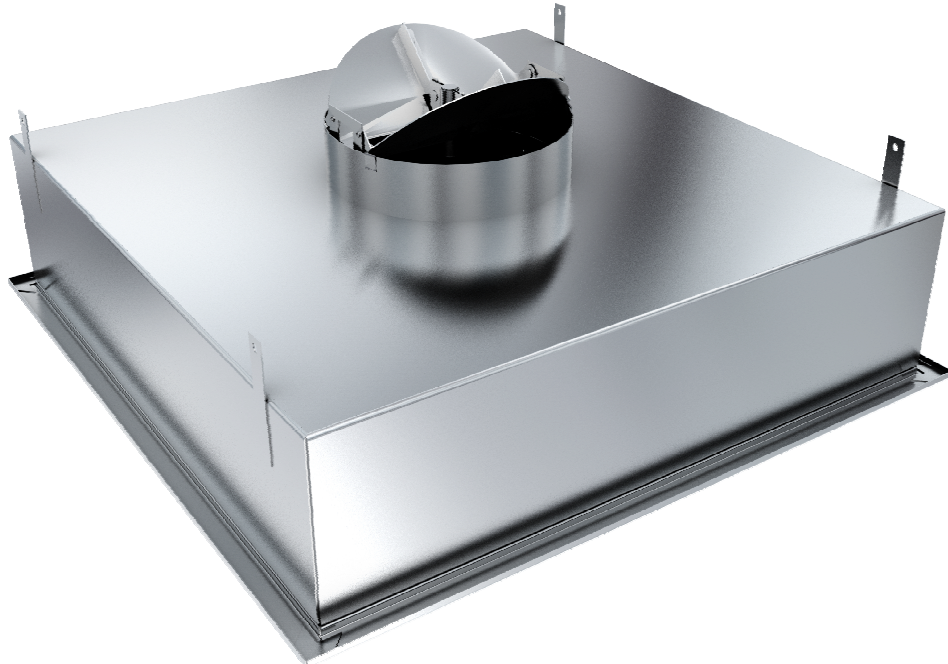


# LFD

## LAMINAR FLOW DIFFUSER

### FEATURES:

- PROVIDES A UNIFORM, UNIDIRECTIONAL LOW VELOCITY AIR PATTERN THAT DISPLACES AIRBORNE PARTICULATE DOWN AND AWAY FROM THE AREA BELOW THE DIFFUSER
- CLASSIFIED AS AN ASHRAE GROUP E NON-ASPIRATING DIFFUSER, THE LFD MEETS ALL ASHRAE 170 PERFORMANCE AND CONSTRUCTION REQUIREMENTS
- ENGINEERED EQUALIZATION BAFFLE ENSURES EVEN DISTRIBUTION OF SUPPLY AIR AT CONSTANT VELOCITIES WITHOUT EXCESS PRESSURE DROP
- AVAILABLE IN MANY SIZES AND CONFIGURATIONS, THE LFD IS THE MOST VERSATILE LAMINAR FLOW DIFFUSER ON THE MARKET



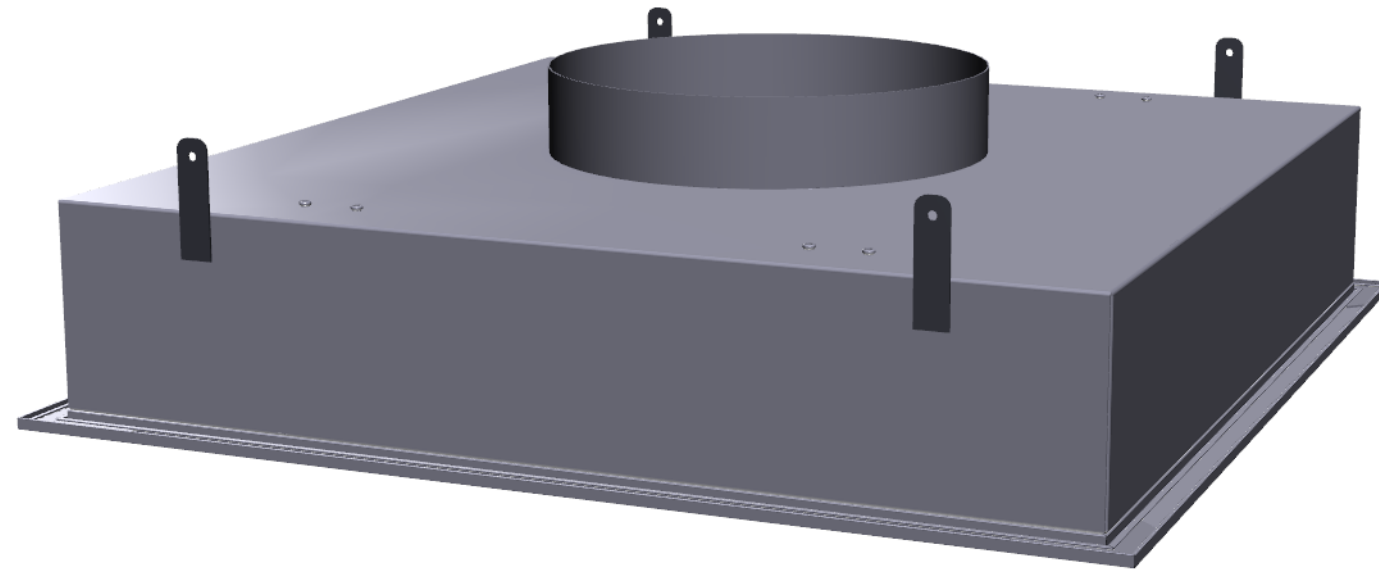
PROJECT:

274684

Revision: A

01-16-2023

**LFD**   
**LAMINAR FLOW DIFFUSER**  
**3D INTERACTIVE MODELS**



**CONFIGURATION SHOWN:**  
24x24 UNIT SIZE  
10" ROUND INLET

- USE THE SCROLL WHEEL TO ZOOM
- HOLD DOWN THE LEFT MOUSE BUTTON TO ROTATE
- HOLD DOWN CTRL AND LEFT MOUSE BUTTON TO MOVE

**PRICE** | **CRITICAL ENVIRONMENTS**

PROJECT:

274684

Revision: A

01-16-2023



# LFD

## LAMINAR FLOW DIFFUSER CONSTRUCTION DETAILS AND OPTIONS

### STANDARD CONSTRUCTION

- SPOT WELDED CORNER SEAMS
- STAINLESS STEEL QUICK RELEASE 1/4 TURN FASTENER
- DUAL CHAMBER DESIGN WITH ENGINEERED EQUALIZATION BAFFLE
- STAINLESS STEEL RETAINER CABLES (TWO) PER UNIT

### PLENUM MATERIAL

- ALUMINUM
- STAINLESS STEEL - 304
- STEEL

### FACE AND FRAME MATERIAL

- ALUMINUM (EXTRUDED FRAME)
- STAINLESS STEEL - 304

### PLENUM FINISH

- WHITE POWDER COAT - B12
- STAINLESS STEEL - 2B  
(OPTIONAL FINISHES AVAILABLE)

### FACE FINISH

- WHITE POWDER COAT - B12
- STAINLESS STEEL - #4  
(OPTIONAL FINISHES AVAILABLE)

### INLET LOCATION

- TOP - TOP INLET
- SIDE-L - SECONDARY PLENUM WITH LENGTH SIDE OVAL INLET
- SIDE-W - SECONDARY PLENUM WITH WIDTH SIDE OVAL INLET

### INLET SIZE

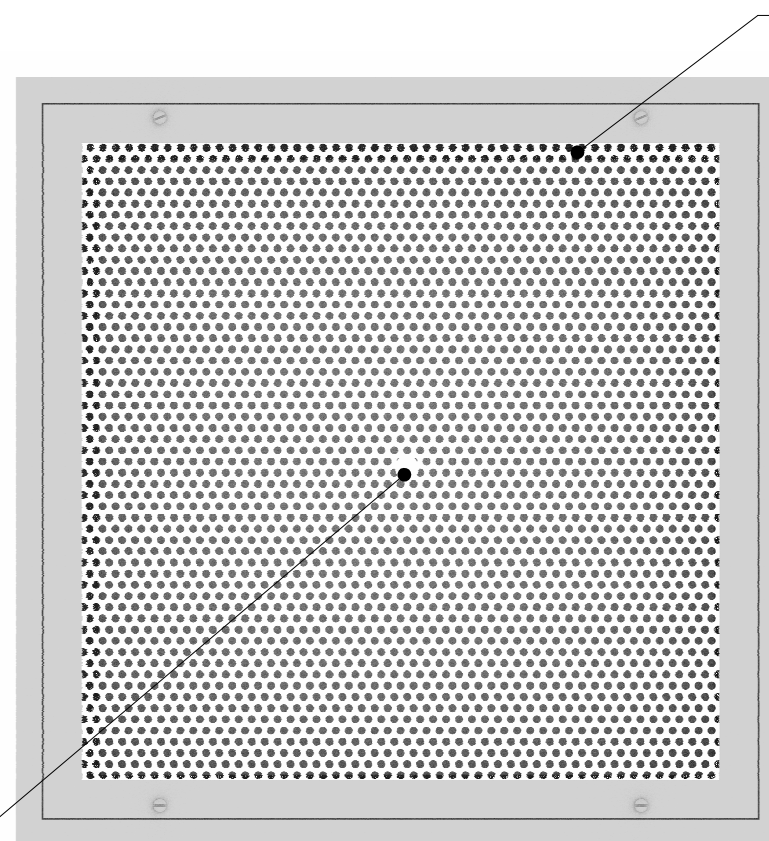
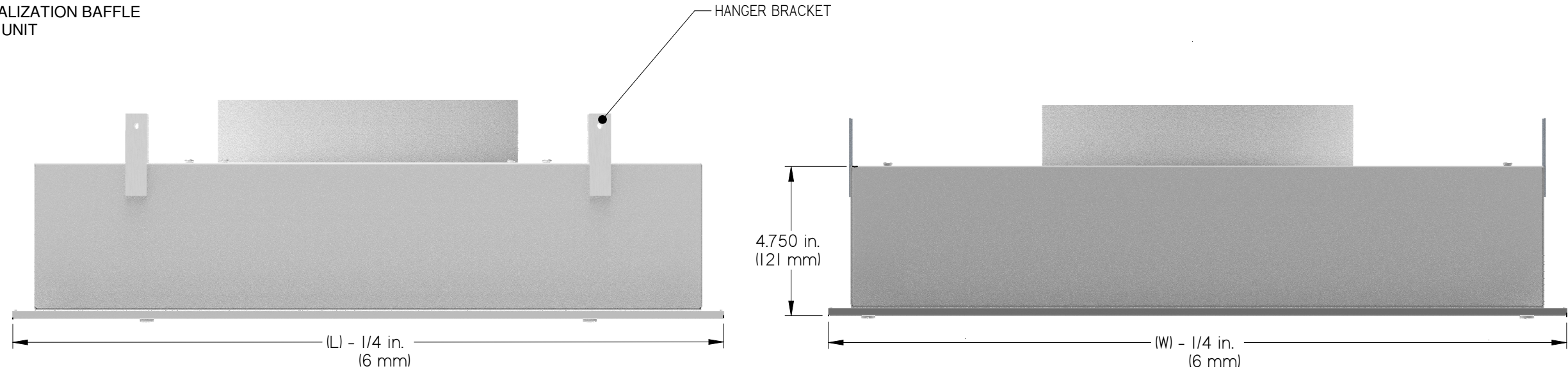
- 6" (152mm) ROUND
- 8" (203mm) ROUND
- 10" (254mm) ROUND
- 12" (305mm) ROUND
- 14" (356mm) ROUND
- 16" (406mm) ROUND

### OPTIONS

- CW - CONTINUOUSLY WELDED VERTICAL PLENUM SEAMS, SPOT WELDED INLET (NOT AVAILABLE WITH STEEL PLENUM)
- AFI-50 - 0.5" THICK ALUMINUM FOIL-BACKED FIBERGLASS EXTERNAL INSULATION
- AFI-150 - 1.5" THICK ALUMINUM FOIL-BACKED FIBERGLASS EXTERNAL INSULATION
- VCR8E - BUTTERFLY DAMPER, WHITE POWDER COATED STEEL BLADES
- VCR8ESS - BUTTERFLY DAMPER, STAINLESS STEEL BLADES
- VCR8EF - FACE ADJUSTABLE BUTTERFLY DAMPER, WHITE POWDER COATED STEEL BLADES
- VCR8EFSS - FACE ADJUSTABLE BUTTERFLY DAMPER, STAINLESS STEEL BLADES
- PF - PROTECTIVE FILM

### NOTES

- FACTORY TOLERANCE +/- (1/32)"



PERFORATED  
DIFFUSER FACE  
13% FREE AREA

OPTIONAL DAMPER FACE  
ACCESS PLUG

INLET SIZES	IMPERIAL (in.)			METRIC (mm)		
	NOMINAL (W x L)	ACTUAL WIDTH	ACTUAL LENGTH	NOMINAL (W x L)	ACTUAL WIDTH	ACTUAL LENGTH
6, 8	12 x 18	11.75	17.75	-	-	-
6, 8	12 x 24	11.75	23.75	300 x 600	294	594
6, 8	12 x 30	11.75	29.75	-	-	-
6, 8	12 x 36	11.75	35.75	-	-	-
6, 8	12 x 42	11.75	41.75	-	-	-
6, 8	12 x 48	11.75	47.75	300 x 1200	294	1194
6, 8	12 x 60	11.75	59.75	-	-	-
6, 8	12 x 72	11.75	71.75	-	-	-
6, 8, 10, 12, 14, 16	24 x 24	23.75	23.75	600 x 600	594	594
6, 8, 10, 12, 14, 16	24 x 30	23.75	29.75	-	-	-
6, 8, 10, 12, 14, 16	24 x 36	23.75	35.75	-	-	-
6, 8, 10, 12, 14, 16	24 x 42	23.75	41.75	-	-	-
6, 8, 10, 12, 14, 16	24 x 48	23.75	47.75	600 x 1200	594	1194
6, 8, 10, 12, 14, 16	24 x 60	23.75	59.75	-	-	-
6, 8, 10, 12, 14, 16	24 x 72	23.75	71.75	-	-	-

**PRICE** | **CRITICAL ENVIRONMENTS**

PROJECT:

274684

Revision: A

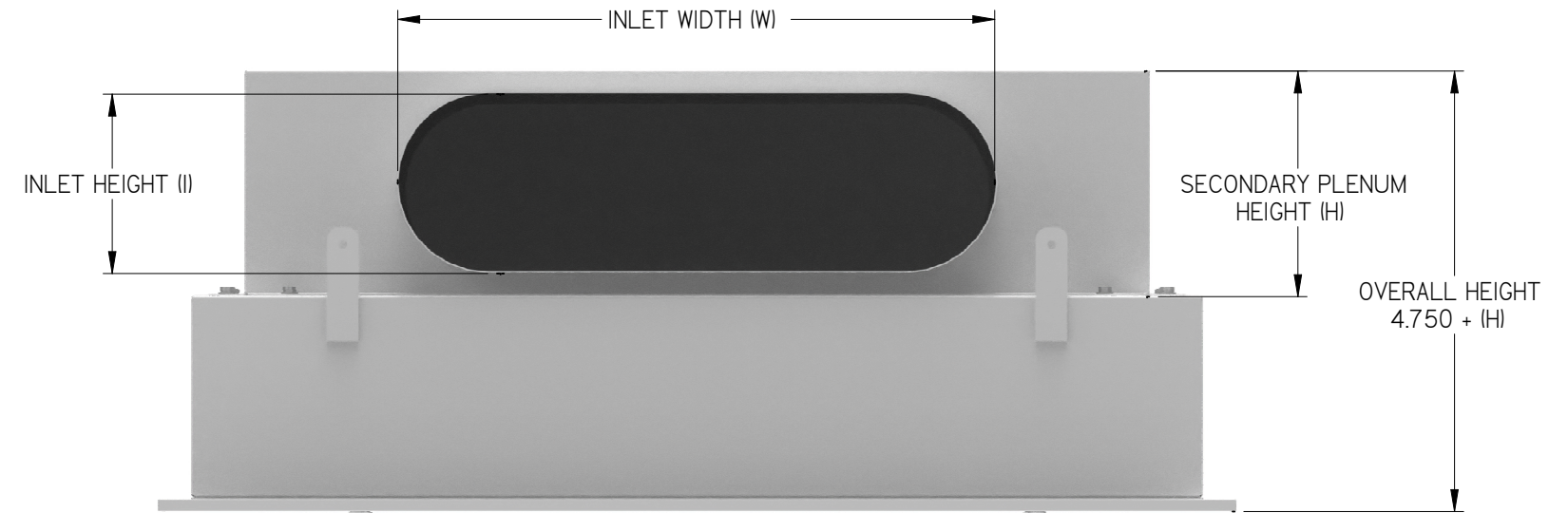
01-16-2023

# LFD

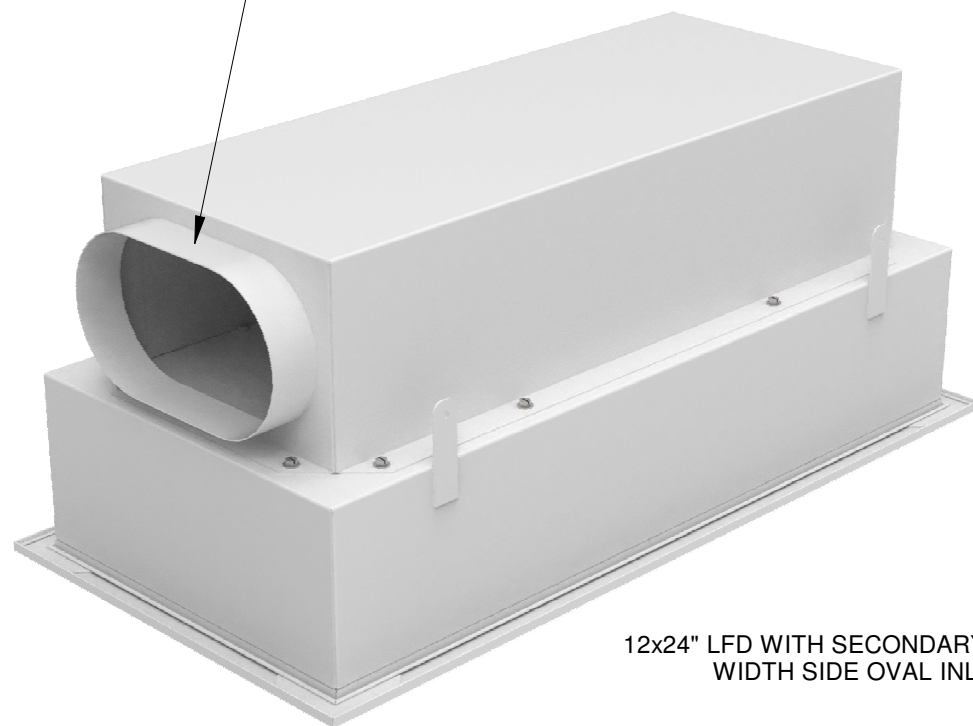
## LAMINAR FLOW DIFFUSER SECONDARY PLENUM WITH SIDE INLET DETAILS

IMPERIAL UNITS (INCHES)

Inlet Size	Oval Inlet Equivalent		
Round Size	Plenum Height(H)	Inlet Height(I)	Inlet Width(W)
6	5.000	4.000	7.000
8	5.000	4.000	10.125
10	5.000	4.000	13.250
12	5.000	4.000	16.375
14	6.000	5.000	18.937
16	7.000	6.000	21.500

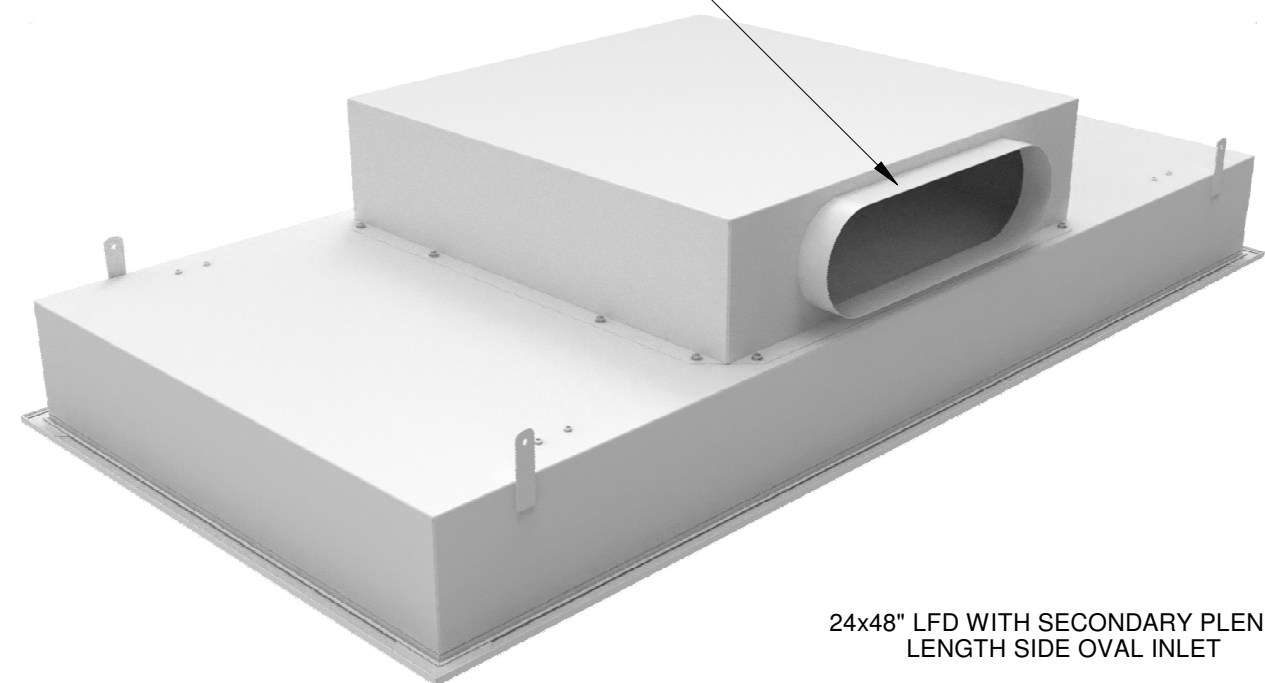


SIDE-W  
SECONDARY PLENUM WITH WIDTH SIDE OVAL INLET



12x24" LFD WITH SECONDARY PLENUM  
WIDTH SIDE OVAL INLET

SIDE-L  
SECONDARY PLENUM WITH LENGTH SIDE OVAL INLET



24x48" LFD WITH SECONDARY PLENUM  
LENGTH SIDE OVAL INLET

**PRICE** | **CRITICAL ENVIRONMENTS**

PROJECT:

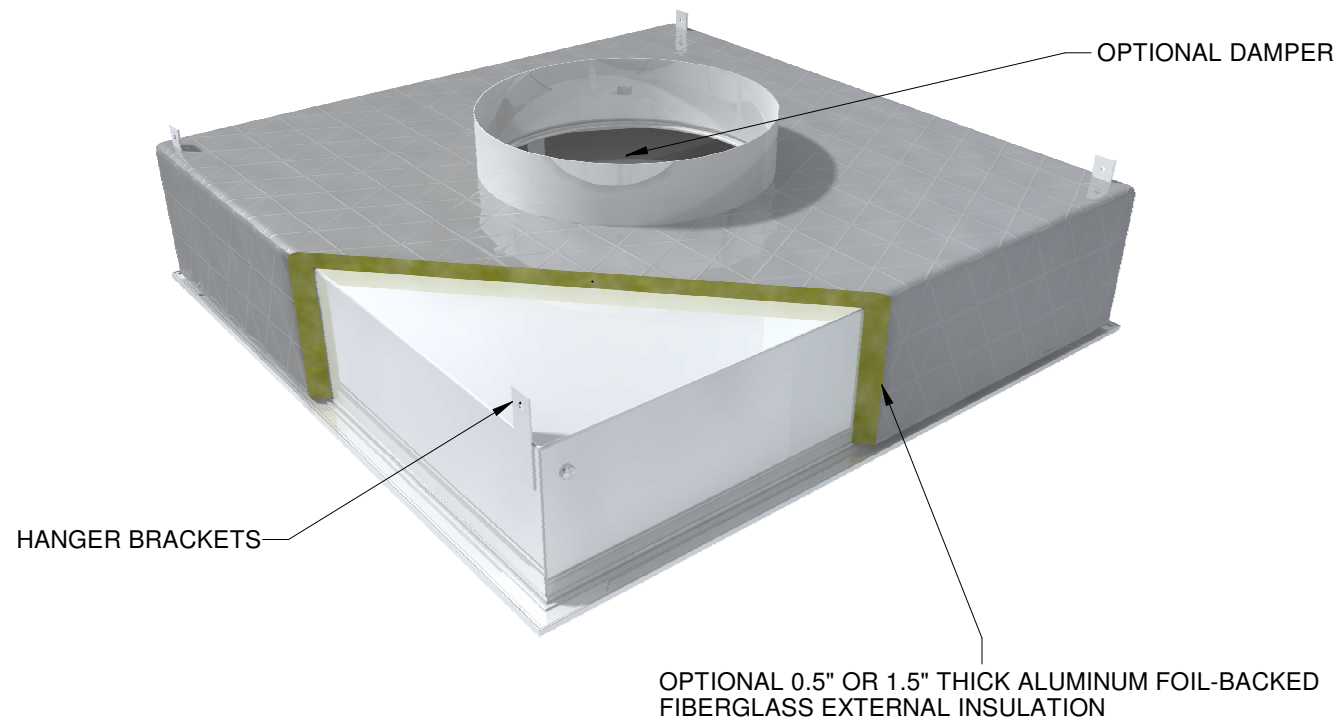
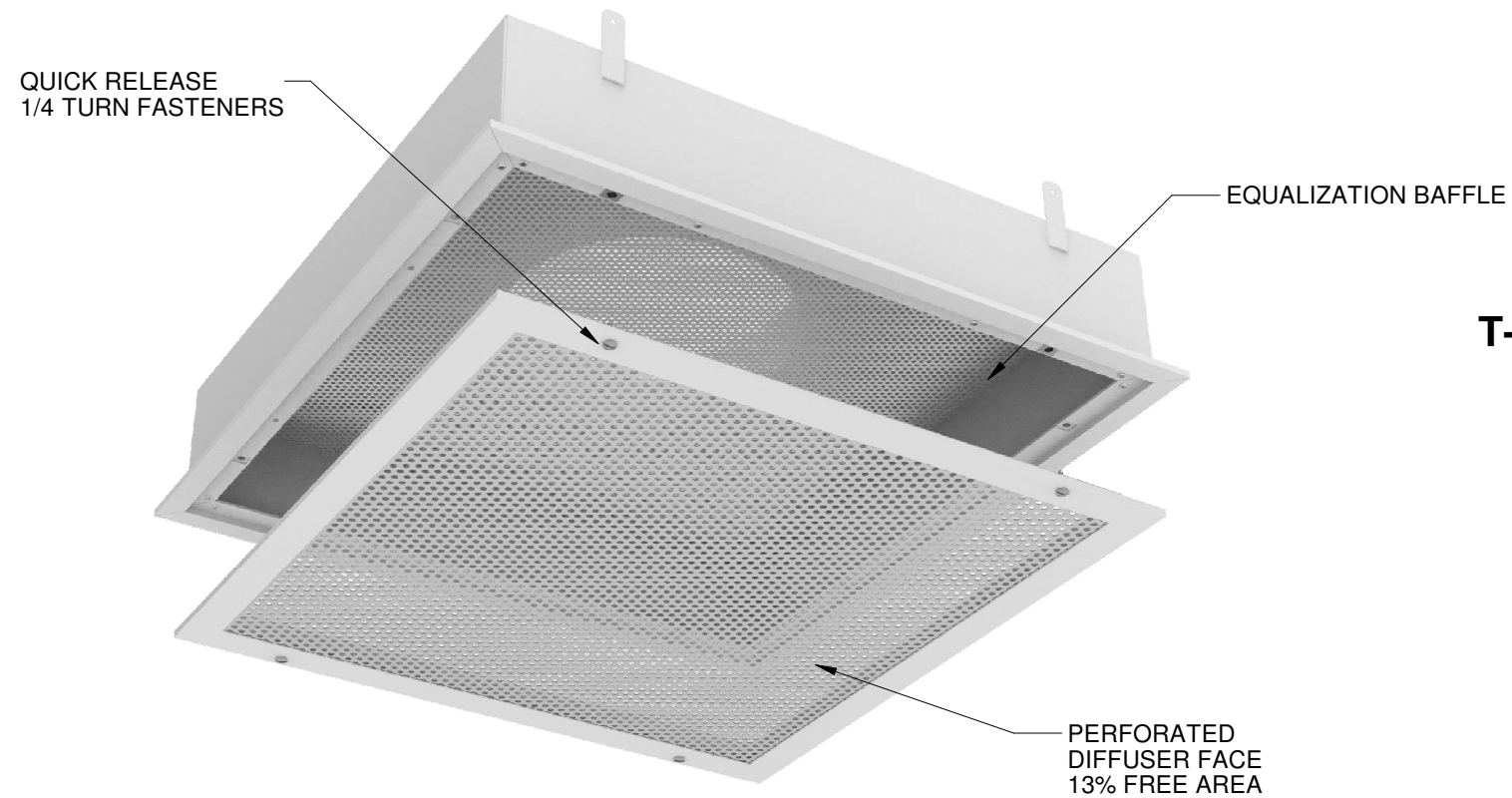
274684

Revision: A

01-16-2023

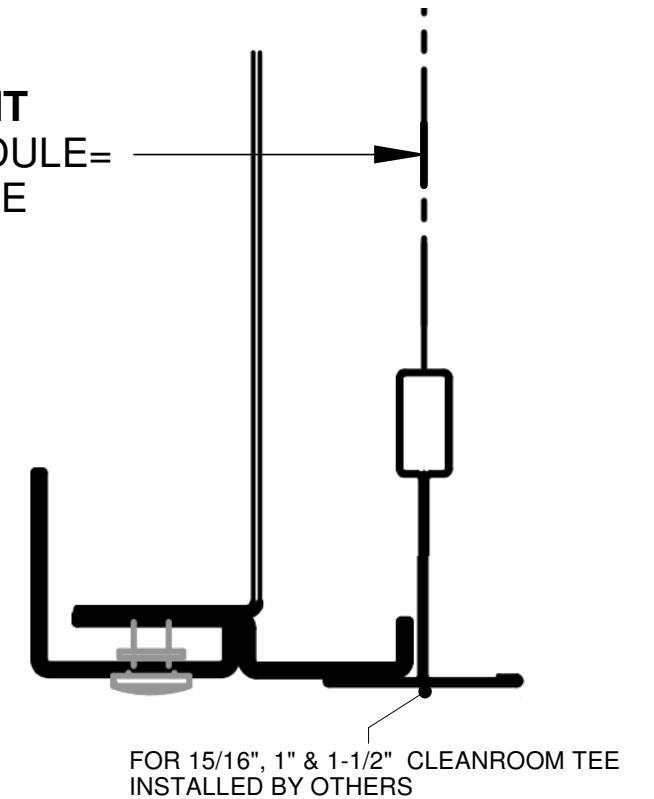


**LFD**  
**LAMINAR FLOW DIFFUSER**  
**CEILING MOUNTING DETAILS**

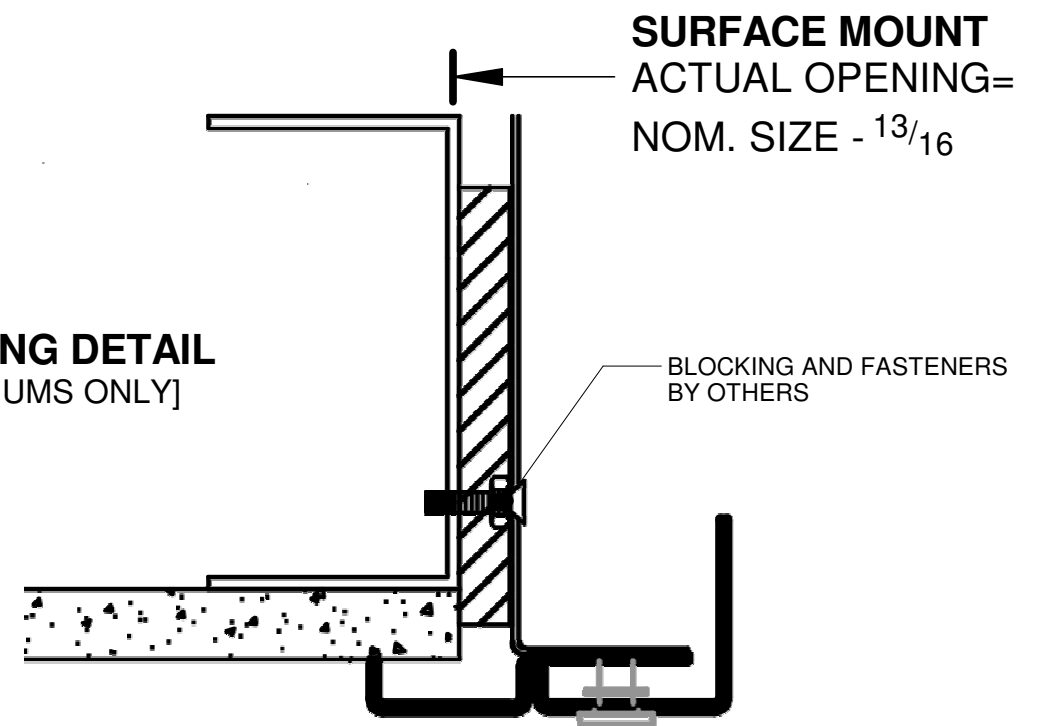


**T-BAR MOUNT**  
**CEILING MODULE =**  
**NOMINAL SIZE**

**T-BAR MOUNTING DETAIL**



**SURFACE MOUNTING DETAIL**  
 [UNINSULATED PLENUMS ONLY]



**PRICE** | **CRITICAL ENVIRONMENTS**

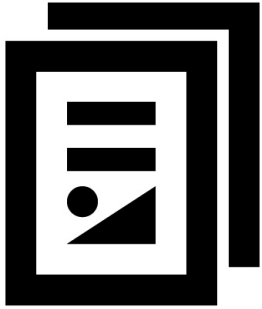
PROJECT:

274684

Revision: A

01-16-2023

**LFD**  
LAMINAR FLOW DIFFUSER  
SUPPORTING CONTENT



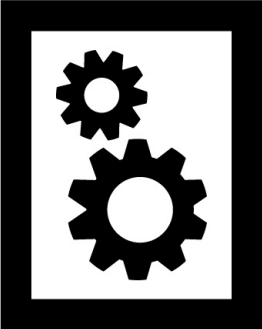
**CATALOG / PERFORMANCE**

LFD LAMINAR FLOW DIFFUSER CATALOG  
LFD LAMINAR FLOW DIFFUSER PERFORMANCE DATA  
LFD LAMINAR FLOW DIFFUSER PERFORMANCE DATA (METRIC)



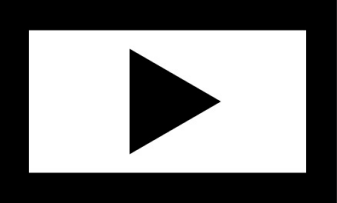
**SPECIFICATIONS**

LFD LAMINAR FLOW DIFFUSER SPECIFICATION



**MANUALS**

DIFFUSER INSTALLATION MANUAL



**VIDEOS**

LFD LAMINAR FLOW DIFFUSER SMOKE TEST (30 CFM/ sq. ft.)  
HIGH PERFORMANCE MANUFACTURING ON CRITICAL ENVIRONMENTS PRODUCTS



**CASE STUDIES**

LFD LAMINAR FLOW DIFFUSER REPRESENTATIVE PROJECT LIST  
CRITICAL ENVIRONMENTS CASE STUDY LIBRARY



FOR MORE INFORMATION ON PRICE LAMINAR FLOW DIFFUSERS,  
VISIT [PRICEINDUSTRIES.COM](http://PRICEINDUSTRIES.COM)

<b>PRICE</b>   <b>CRITICAL ENVIRONMENTS</b>		
PROJECT:		
274684	Revision: A	01-16-2023